

# GRUNDFOS CMBE BOOSTER

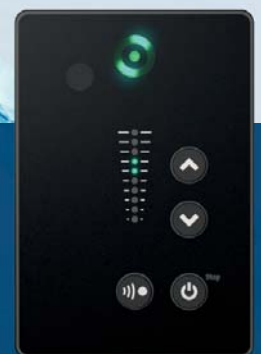
The Grundfos CMBE is a compact booster pump for water supply and boosting in domestic and light commercial applications. The integrated speed controller enables the CMBE to maintain a constant pressure in the pipe system.

NEW  
HIGH  
EFFICIENCY  
MOTOR



## FEATURES

- High-efficiency motor
- Constant pressure via integrated speed control
- Easy installation & operation
- Integrated dry-run protection with auto-restart
- Quiet operation
- Compact
- Superior materials
- Robust and reliable pump
- One-touch pressure adjustment



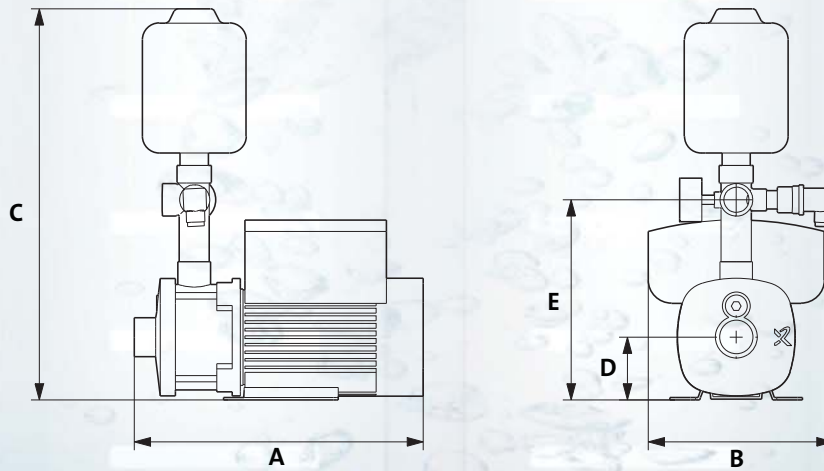
USER CONTROL PANEL WITH GRUNDFOS EYE  
& ONE TOUCH PRESSURE ADJUSTMENT

be  
think  
innovate

GRUNDFOS 

## TECHNICAL & PERFORMANCE DATA

### PHYSICAL ATTRIBUTES



Model	Motor Power P2 (kW)	Connections		Dimensions (mm)					Weight (kg)
		Inlet	Outlet	A (l)	B (w)	C (h)	D (inlet)	E (outlet)	
CMBE 3-62	1.10	1" Female	1" Female	344	217	440	75	200	17
CMBE 5-62	1.50	1 ¼" Female	1" Female	350	217	455	90	215	19
CMBE 10-54	1.50	1 ½" Female	1 ½" Female	490	232	506	100	263	24

### OPERATING CONDITIONS

Ambient Temperature	0°C to +55°C
Liquid Temperature	0°C to +60°C
System Pressure	Max. 10 bar

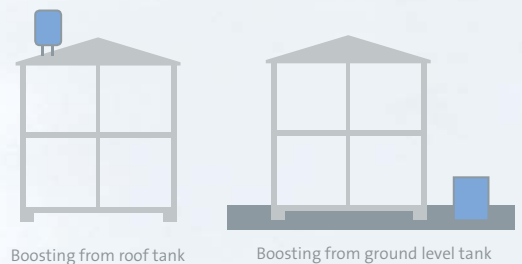
### TECHNICAL DATA

Power Supply Voltage	220-240 Volt, 50 Hz
Power Supply Cable	1.5 m with plug
Enclosure Class	Undercover installation recommended (IP55)
Approvals and Markings	Listed & Registered in SPAN

### SELECTION GUIDE - MAKE THE RIGHT CHOICE

CMBE MODELS	Solar/Electric Storage Water Heater		Instant Electric Hot Water Heater
	Normal Shower	Rain Shower	
CMBE 3-62	1-3 Bathrooms	1-2 Bathrooms	1-3 Bathrooms
CMBE 5-62	4-6 Bathrooms	3-5 Bathrooms	4-6 Bathrooms
CMBE 10-54	7-11 Bathrooms	6-10 Bathrooms	7-11 Bathrooms

### POSITIVE INLET PRESSURE (WATER ABOVE PUMP LEVEL)



#### GRUNDFOS PUMPS SDN BHD

7, Jalan Peguam U1/25, Glenmarie Industrial Park  
40150, Shah Alam, Selangor  
Tel: +603-5032 1900 Fax: +603-5032 1732  
Toll Free: 1800 88 PUMP (7867)  
www.grundfos.com/my