

KPC 300 A, KPC 600 A



TM06 3857 1015

Fig. 19 KPC 300 A, KPC 600 A

The KPC 300 and 600 are designed mainly for automatically operated, permanent domestic applications for draining basements and garages which are subject to flooding.

Thanks to its compact, easy-to-handle design, it can also be used as a portable pump for emergencies such as lifting water from tanks or rivers, emptying swimming pools, fountains, excavations and underpasses.

It is also ideal for gardening and hobbies in general.

The level switch allows permanent installation and guarantees automatic pump operation.

Table of performance ranges and possible applications	KPC
DNM connections KPC 600 A	Rp 1 1/4
DNM connections KPC 300 A	Rp 1
Flow rate Q [m ³ /h]	Max. 16
Head H [m]	Max. 10.8
Temperature t [°C]	Max. +40
Rain water	•
Clean wastewater	•

Constructional features

Pump

Water-resistant technopolymer pump sleeve, impeller and suction strainer. Stainless steel motor housing, rotor shaft and screws.

Motor

The motor is a continuous-duty, submersible induction motor. The stator is fitted in an airtight stainless steel motor housing encasing cabling, microswitch and capacitor. The rotor is mounted on oversized, greased and sealed-for-life ball bearings selected to guarantee silent running and long life. The pump has built-in thermal and current overload protection and a capacitor which is permanently in circuit in the single-phase version.

KPC 300 A: Supplied as standard with 10 metres of H05 RN-F power cable.

KPC 600 A: Supplied as standard with 10 metres of H07 RN-F power cable.

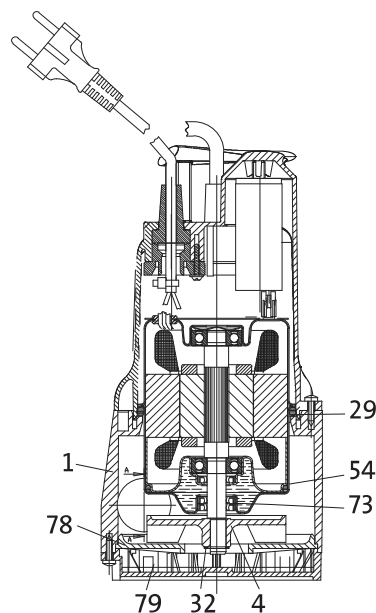
Enclosure class: IP68

Insulation class: F

Manufactured according to EN 60335-2-41.

Standard voltage: 1 x 220-240 V, 50 Hz

Descriptions and materials



TM02 8468 3204

Fig. 20 Materials KPC

Pos.	Descriptions	Materials
1	Pump sleeve	Noryl GFN 2
4	Impeller	Noryl GFN 2
29	O-ring	NBR
32	Stop ring	Stainless steel 12E
Motor		
54	– Motor housing	Stainless steel AISI 304 X5 CrNi 1810
	– Rotor	Stainless steel AISI 304 X5 CrNi 1810
78	Suction disc	Noryl GFN 2
79	Suction strainer	Noryl GFN 2

KPC 24/7



TM06 3858 1015

Fig. 26 KPC 24/7

The KPC 24/7 is designed mainly for continuous operation in permanent installations for circulating water in ponds and for supplying water to fountains and water falls.

Thanks to its compact, easy-to-handle design, it can also be used as a portable pump for emergencies such as lifting water from tanks or rivers, emptying swimming pools, fountains, excavations and underpasses.

It is also ideal for gardening and hobbies in general.

Table of performance ranges and possible applications	KPC 24/7
DNM connections	Rp 1
Flow rate Q [m ³ /h]	Max. 14
Head H [m]	Max. 6.8
Temperature t [°C]	Max. 40
Rain water	•
Clean wastewater	•

Constructional features

Pump

Water-resistant technopolymer pump sleeve, impeller and suction strainer. Stainless steel motor housing, rotor shaft and screws.

Motor

The motor is a continuous-duty, submersible induction motor. The stator is fitted in an airtight stainless steel motor housing encasing cabling, micro switch and capacitor. The rotor is mounted on oversize, greased and sealed-for-life ball bearings selected to guarantee silent running and long life. The pump has built-in thermal and current overload protection and a capacitor which is permanently in circuit in the single-phase version.

KPC 24/7: Supplied as standard with 10 m H05 RN-F power cable

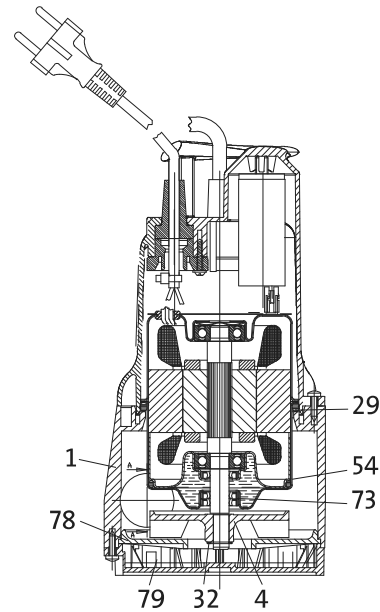
Enclosure class: IP68

Insulation class: F

Manufactured according to EN 60335-2-41.

Standard voltage: 1 x 220-240 V, 50 Hz

Descriptions and materials



TM02 8468 3204

Fig. 27 Materials KPC 24/7

Pos.	Descriptions	Materials
1	Pump sleeve	Noryl GFN 2
4	Impeller	Noryl GFN 2
29	O-ring	NBR
32	Stop ring	Stainless steel 12E
Motor		
54	– Motor housing	Stainless steel AISI 304 X5 CrNi 1810
	– Rotor	Stainless steel AISI 304 X5 CrNi 1810
78	Suction disc	Noryl GFN 2
79	Suction strainer	Noryl GFN 2